

REF. 54361

RUBBER LIFT PAD FOR ELEVATOR TWIN BUSCH

Function

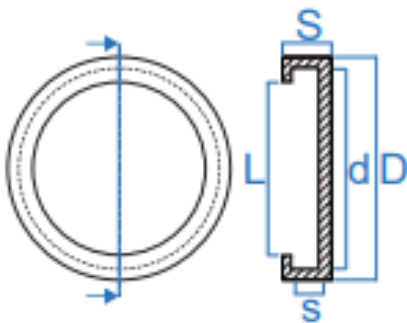
These rubber pads offer safe and reliable protection during vehicle lifting operations. Ideal for both conventional and off-road vehicles.



Advantages

- ✓ It has good resistance to pressure, and will serve you well.
- ✓ Reasonable design, simple and practical.
- ✓ Made of high-quality rubber.

Technical specifications



D	d	S	s	L
140 mm	125 mm	28 mm	8 mm	120 mm